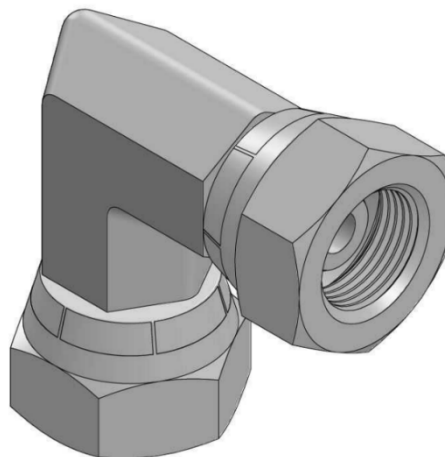
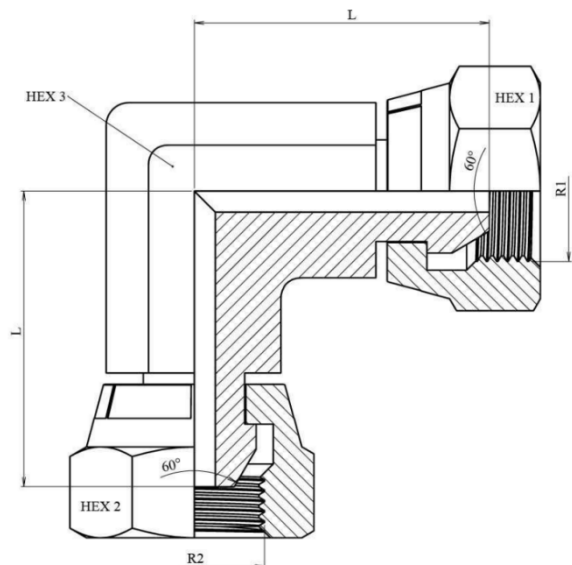


## DATA SHEET - TEHNIČNI LIST



	R1	R2	L	HEX 1	HEX 2	HEX 3	⌀ (Kg)
89306	1/8" BSP	1/8" BSP	22,5	14	14	11	0,039
89307	1/4" BSP	1/4" BSP	26	19	19	14	0,068
89308	3/8" BSP	3/8" BSP	27	22	22	19	0,124
89309	1/2" BSP	1/2" BSP	35	27	27	22	0,2
89310	3/4" BSP	3/4" BSP	38	32	32	27	0,275
89311	1" BSP	1" BSP	44	41	41	36	0,502
	1"1/4 BSP	1"1/4 BSP	49	50	50	46	0,81
	1"1/2 BSP	1"1/2 BSP	61	55	55	50	1,078

Izdelano iz Ogljikovega Jekla

Made of Carbon Steel

